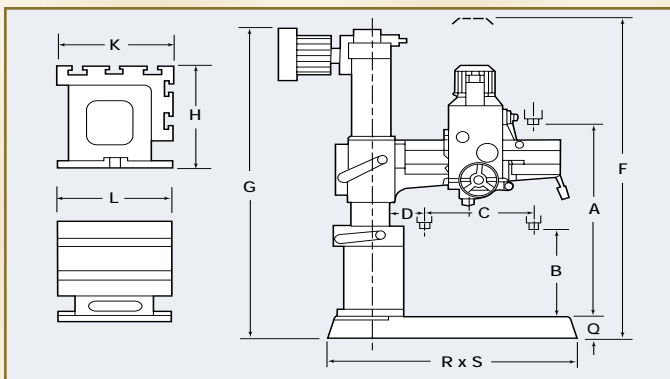


Clausing Radial Drills

Models
CL720A
CL820A
CL920A



Dimensions:



Capacities:

Model	CL720A	CL820A	CL920A
Capacity			
Drilling	In Steel	1-1/2"	1-1/2"
	In Cast Iron	2"	2"
Tapping	In Steel	1"	1"
	In Cast Iron	1-1/4"	1-1/4"
Boring	In Steel	2-3/4"	2-3/4"
	In Cast Iron	4-1/16"	4-1/16"

Features and Standard Equipment:

- Limit switch
- High speed gears are made of Nickel-Chrome Steel and are heat-treated and ground for durability.
- Powerful 2 Hp spindle drive motor for heavy-duty cutting
- Extra auxiliary dial for spindle feed depth indication, allows review of spindle feed depth, .0394" to 7.874".
- Special spindle balance mechanism, superior to traditional balance mechanism and extends Balance Spring life.
- Coolant System
- Low volt and overload protection
- Tool kit and manuals

Specifications:

Model	CL720A	CL820A	CL920A
Working Area			
Column Sleeve Dia (E)	8-1/4"	8-1/4"	8-1/4"
Column Face to Spindle Center			
Maximum (D+C)	29-1/2"	33-1/2"	37-3/8"
Minimum (D)	8-5/8"	8-5/8"	8-5/8"
Spindle Head Travel (C)	20-7/8"	24-7/8"	28-3/4"
Arm Vertical Travel (A-B)	23-13/16"	25-9/16"	25-9/16"
Arm Rotation (Right & Left)	180°	180°	180°
Base Surface to Spindle End			
Maximum (A)	41-3/4"	47-5/8"	47-5/8"
Minimum (B)	9-5/8"	13-3/4"	13-3/4"
Baseplate Working Surface	35 1/2" x 25 3/16"	35 1/2" x 25 3/16"	35 1/2" x 25 3/16"
Box Table Area			
Top (L x K)	23 5/8" x 17 1/2"	23 5/8" x 17 1/2"	23 5/8" x 17 1/2"
Side (L x H)	23 5/8" x 15"	23 5/8" x 15"	23 5/8" x 15"
Base Dimensions			
Floor Area (R x S)	49 9/8" x 25 3/16"	49 9/8" x 25 3/16"	49 9/8" x 25 3/16"
Height (Q)	6 7/32"	6 7/32"	6 7/32"
Drilling Head			
Spindle Taper	MT#4	MT#4	MT#4
Spindle Stroke	8-1/4"	8-1/4"	8-1/4"
Quill Diameter	2.953"	2.953"	2.953"
Spindle Speeds (rpm)	88, 154, 282, 455, 796 1500 (all models)		
Number of Spindle Speeds	6	6	6
Spindle Feed Rate (in/rev.)	0.002", 0.0035", 0.006" (all models)		
Number of Feeds	3	3	3
Spindle Drive Motor	2 hp	2 hp	2 hp
Elevating Motor	1 hp	1 hp	1 hp
Coolant Pump Motor	1/8 hp	1/8 hp	1/8 hp
Overall Measurements and Weight			
Maximum Machine Height (F)	85-7/16"	91-3/8"	91-3/8"
Shipping Dim. (LxWxH)	64" x 32" x 85"	66" x 32" x 86"	71" x 32" x 86"
Net Weight	2640 lbs	2860 lbs	2970 lbs
Shipping Weight	2970 lbs	3190 lbs	3300 lbs