

# Series K Belt-drive Round-column Drills

A heavy-duty Industrial Drilling Machine,  
designed for easy operation with manual feed

## Standard Features and Equipment:

- Drilling capacity in steel: 1" (25mm) maximum
- Drilling capacity in cast iron: 1.18" (30mm) maximum
- Tapping capacity in steel: .71" (18mm) maximum
- Tapping capacity in cast iron: .87" (22mm) maximum
- **"RS"** models are equipped with automatic feed reversing system for tapping
- **"EV"** models are equipped with electronic variable speed
- **"EVRS"** models are equipped with electronic variable speed and automatic feed reversing system for tapping
- Depth scale and adjustable depth stop
- Thermomagnetic switch
- Spindle reversing switch
- Automatic tool ejector
- Emergency STOP
- High/low speed range selector
- Drill guard with microswitch

## Optional Equipment:

- Floor cabinet with shelves
- Floor cabinet with drawer and door
- Rotating table (KM/KL models)
- Cross slide table
- Cycle start foot pedal
- Foot pedal for reversing
- Worklight with magnetic base
- Coolant system with independent container



# Capacities, Specifications and Dimensions

Models Auto feed reversing & VS Models	KS18	KM18	KL18	KS25/EV KS25/EV/RS	KM25/EV KM25/EV/RS	KL25/EV KL25/EV/RS
<b>Capacities:</b>						
Maximum drilling capacity in steel	.71"(18mm)	.71"(18mm)	.71"(18mm)	1"(25mm)	1"(25mm)	1"(25mm)
Maximum drilling capacity in cast iron	1"(25mm)	1"(25mm)	1"(25mm)	1.18"(30mm)	1.18"(30mm)	1.18"(30mm)
Maximum tapping capacity in steel	.55"(14mm)	.55"(14mm)	.55"(14mm)	.71"(18mm)	.71"(18mm)	.71"(18mm)
Maximum tapping capacity in cast iron	.71"(18mm)	.71"(18mm)	.71"(18mm)	.87"(22mm)	.87"(22mm)	.87"(22mm)
<b>Specifications:</b>						
Spindle taper	3MT	3MT	3MT	3MT	3MT	3MT
Quill diameter	2.44"(62mm)	2.44"(62mm)	2.44"(62mm)	2.44"(62mm)	2.44"(62mm)	2.44"(62mm)
Spindle travel (drilling depth)	4.72"(120mm)	4.72"(120mm)	4.72"(120mm)	4.72"(120mm)	4.72"(120mm)	4.72"(120mm)
Main motor power	.5/.75 Hp (.40/.55 Kw)			1.5 Hp (1.1 Kw)		
No. of speeds (see speed charts)	10	10	10	10	10	10
<b>Dimensions and Weights</b>						
Height (A)	42.1"(1070mm)	42.9"(1090mm)	-	42.1"(1070mm)	42.9"(1090mm)	-
Height (A1)	73.6"(1870mm)	74.4"(1890mm)	70"(1780mm)	73.6"(1870mm)	74.4"(1890mm)	70"(1780mm)
Base: length x width (B)	22" x 15"(560x380mm)	22" x 15"(560x380mm)	24" x 15"(600x380mm)	22" x 15"(560x380mm)	22" x 15"(560x380mm)	24" x 15"(600x380mm)
Base to spindle (C)	See (E)	20.9"(530mm)	47.6"(1210mm)	See (E)	20.9"(530mm)	47.6"(1210mm)
Spindle center to column (D)	9.84"(250mm)	9.84"(250mm)	9.84"(250mm)	9.84"(250mm)	9.84"(250mm)	9.84"(250mm)
Spindle to Table (E)						
Minimum	4.33"(110mm)	1.18"(30mm)	4.13"(105mm)	4.33"(110mm)	1.18"(30mm)	4.13"(105mm)
Maximum	19.7"(500mm)	12.6"(320mm)	25.2"(640mm)	19.7"(500mm)	12.6"(320mm)	25.2"(640mm)
Worktable: length x width (F)	-	10.6" x 11.8"(270 x 300mm)	-	-	10.6" x 11.8"(270 x 300mm)	-
Base height (G)	3.1"(80mm)	3.1"(80mm)	3.7"(95mm)	3.1"(80mm)	3.1"(80mm)	3.7"(95mm)
Column diameter (H)	3.94"(100mm)	3.94"(100mm)	3.94"(100mm)	3.94"(100mm)	3.94"(100mm)	3.94"(100mm)
Floor to top of base (I)	34.6"(880mm)	34.6"(880mm)	-	34.6"(880mm)	34.6"(880mm)	-
Cabinet height (J)	31.5"(800mm)	31.5"(800mm)	-	31.5"(800mm)	31.5"(800mm)	-
Net weight	276 lbs(125kg)	330 lbs(150kg)	385 lbs(175kg)	276 lbs(125kg)	330 lbs(150g)	385 lbs(175kg)
Shipping weight	330 lbs(150kg)	375 lbs(170kg)	374 lbs(215kg)	330 lbs(150kg)	375 lbs(170kg)	474 lbs(215kg)
Shipping dimension (length x width x height)	20" x 32" x 55" (.5 x .8 x 1.4m)	20" x 32" x 55" (.5 x .8 x 1.4m)	20" x 36" x 75" (.5 x .9 x 2.1m)	20" x 32" x 55" (.5 x .8 x 1.4m)	20" x 32" x 55" (.5 x .8 x 1.4m)	20" x 36" x 75" (.5 x .9 x 2.1m)

**Standard motor: 1800/3600 rpm**

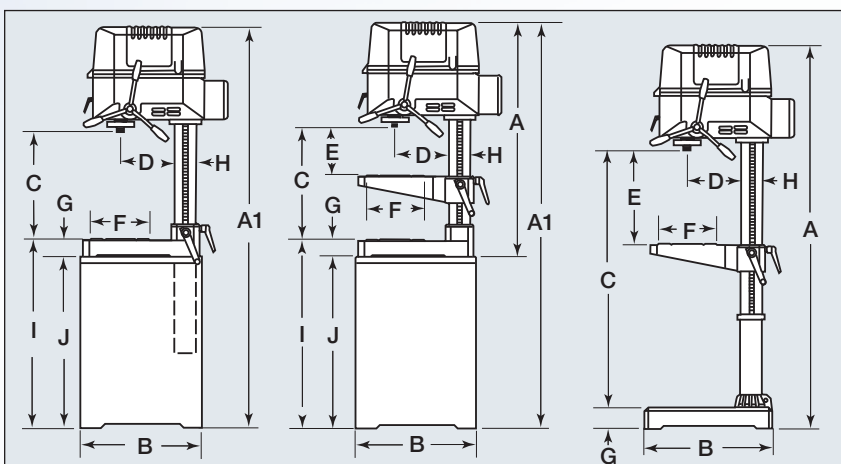
**Step pulley spindle speeds (rpm)**

240-432-480-780-864-1404-1560-2400-2808-4800

**Variable speed spindle speed range (rpm)**

300-4800

**Note:** K25EV/RS models take a 1 speed motor of 1.5 Hp (1.1 Kw) and variable speed range 300-4800.



Optional  
PKB  
cabinets.