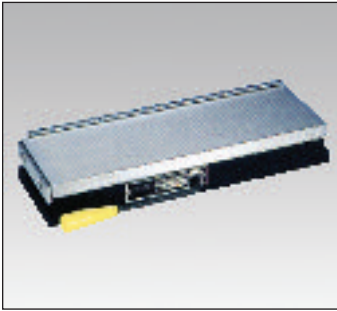


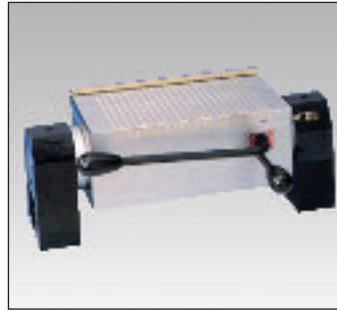
Clausing Grinder Optional Accessories



Permanent Magnetic Chuck



Electro Magnetic Chuck



Inclinable Permanent Magnetic Chuck



Chuck Control with Demagnetizer



Coolant System



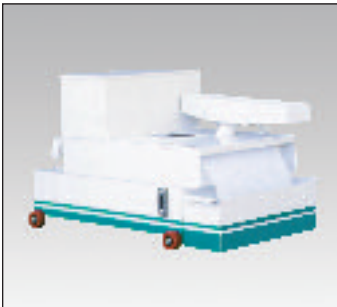
Coolant System with Magnetic Separator



Dust Collector



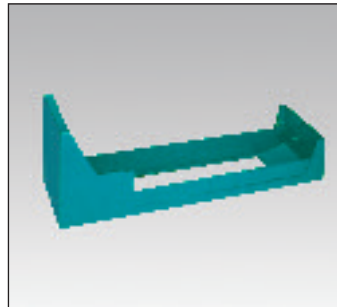
Coolant and Dust Unit



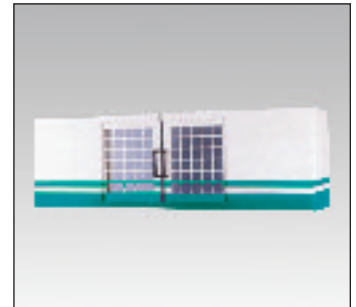
Coolant System with Manual Paper Feeding



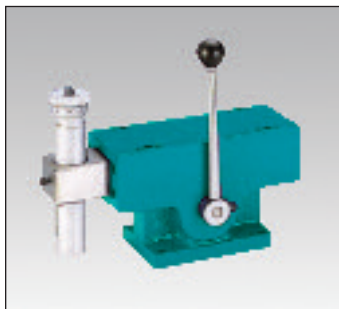
Auto Paper Feeding Device with Magnetic Separator



Splash Guard



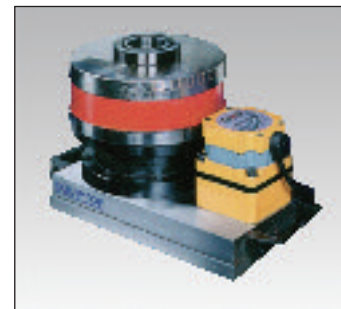
Full Guarding Splash Guard (10/12/16 Series)



Manual Parallel Dressing Attachment



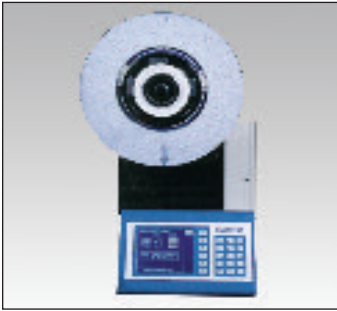
Electric Parallel Dressing Attachment



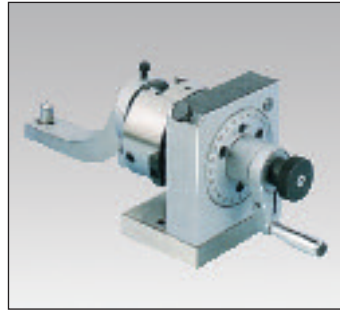
Adjustable Speed Rotary Magnetic Chuck

Clausing Grinder Standard Accessories

- Diamond Dresser
- Auto Lubrication System
- Wheel Flange
- Grinding Wheel
- Balancing Arbor
- Wheel Extracting Screw & Nut
- Leveling Screws with Blocks
- Touch-up Paint
- Toll Box and Tools



Dynamic Balancer



Punch Former



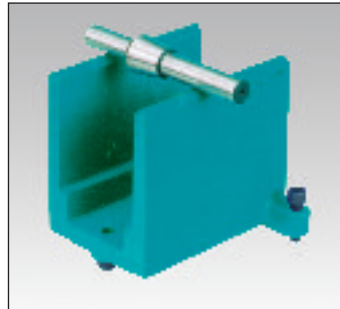
Digital Readout



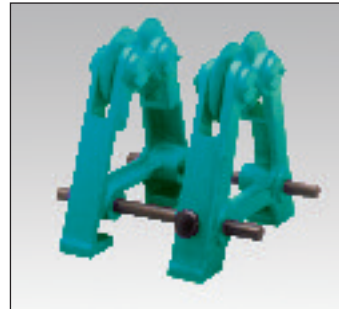
Spare Wheel Flange



Halogen Work Light



*Balancing Stand
(Double Line)*



*Roller Type Balancing
Stand*



*Micro Crossfeed for
616/818 Series*



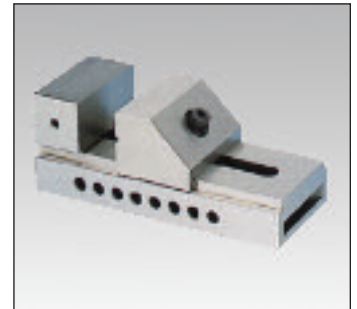
*Micro Crossfeed for
10/12/16 Series*



*Mirco Down Feed for
10/12/16 Series*



*Manual Pulse Generator for
ASDII Series*



Precision Vice



Frequency Changer



Swivel Wheel Guard



*Concave/Convex Forming
Dresser*